



SPECIFICATIONS

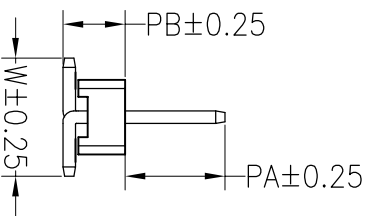
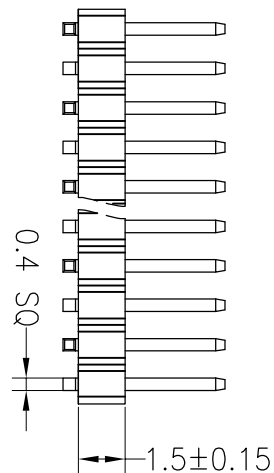
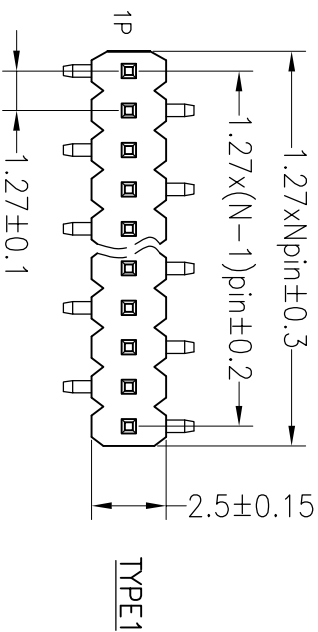
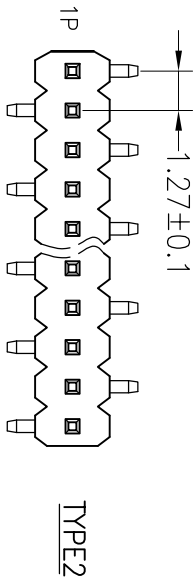
Rated Current: 1.0AMP
 Contact Resistance: 20mΩ Max
 Withstand Voltage: 500V AC/DC
 Insulation Resistance: 1000MΩ Min
 Operation Temperature: -40°c to +105°c

Contact Material: Brass
 Contact Plating: Au or Sn Over Ni
 Insulator Material: Polyester (UL94V-0)
 Standard: PA6T
 Max. Processing Temp: 230°C for 30-60 seconds
 (260°C for 10 seconds)

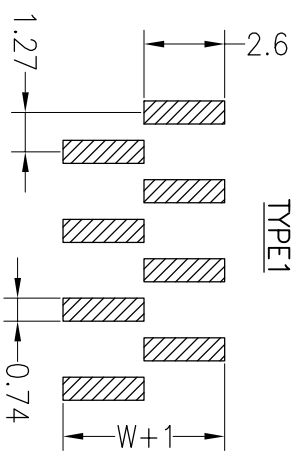
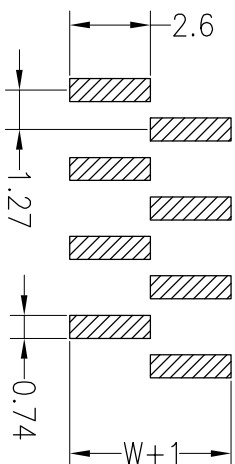
Ordering Information

1415 11 XX X N XX M XXX X 01

No. of Pins Per Row
 Insulator Material
 Option
 A=BK-PBT
 C=BK-PA6T
 D=BK-PA46
 E=BK-PA9T
 F=BK-LCP
 Contact Plating
 G1:1.0U" Gold
 G2:1.5U" Gold
 G3:2.0U" Gold
 G4:3.0U" Gold
 G5:5.0U" Gold
 S0:Gold Flash/Tin
 SN:Tin
 Pin Length
 Packing
 O=PE Bog
 A=Tray
 T=Tube
 P=Tube+Cap
 R=Reel+Cap
 M=Reel+Mylar



Recommended P.C.B Layout (Top Side)
 (PCB BOARD TOLERANCE±0.05)



Dimension antitheses list				
ITEM	PA	PB	W	L
Alternate	4.00	1.90	4.40	7.70

REV	DATE	MODIFICATION DESCRIPTION	CHANGE
A0	2012.08.28	NEW DRAWING	

OPERATION		DRAW	Y.YuSheng	12.08.28
X.X	±0.30	CHECK		
X.XX	±0.20			
X.XXX	±0.10			
Angle	±3°	APPROVE		
DIM	TOL			

SCALE	FIT	PART NO.	TITLE:
UNIT	mm	141511XXXXXXMXXXXX01	1.27PH H1.5mm 1xNpin SMT
SIZE	A4		
SHEET	1/1		
PROJ.			

JILIN 深圳市锦凌电子有限公司
 SHENZHEN JINLING ELECTRONIC CO.,LTD
 Tel: 86-755-2997-5806/5802 Fax: 86-755-2997-5892